

FLORALE CRYSTAL

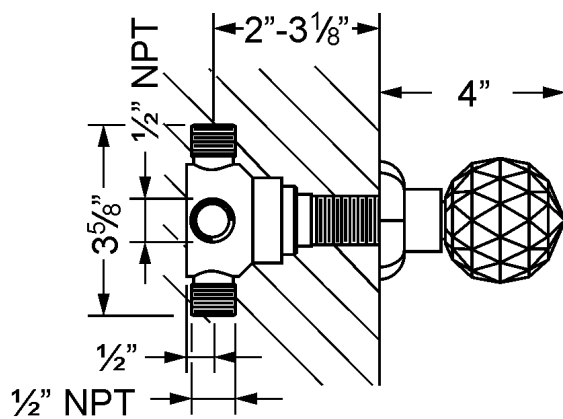
600.60.432.xxx-AA

Wall volume control $\frac{3}{4}$ " or wall diverter $\frac{1}{2}$ ", assembly set only

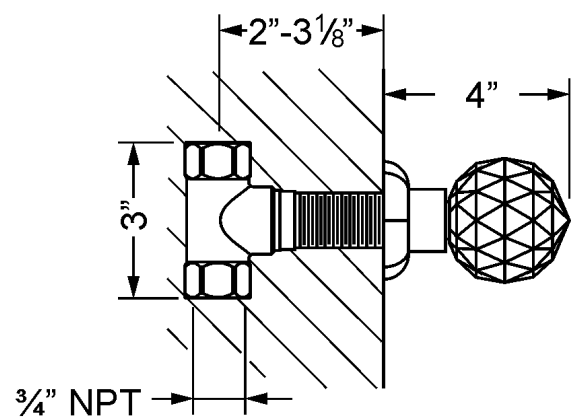


- with crystal handle
- must order 649.20.410.000 rough to complete (Wall volume control $\frac{3}{4}$ ")
- must order 649.40.620.000 rough to complete (Wall diverter $\frac{1}{2}$ ")

- **Required:**
649.20.410.000 | Concealed wall valve $\frac{3}{4}$ " , rough only
649.40.620.000 | 4-port,3-way dedicated diverter rough only



with concealed wall valve 649.40.620.000



with concealed wall valve 649.20.410.000