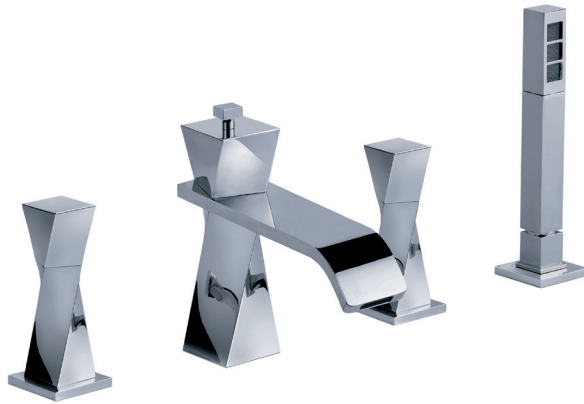


TURN

623.40.100.xxx

Tub/shower mixer set 1/2", deck mount



- spout projection 7 11/64"; height 8 5/64"
- spout made of solid brass construction
- Neoperl aerated stream aerator 40x10
- flow rate 6.0 GPM at 60 PSI
- metal handles and escutcheons
- automatic diverter tub/shower
- double handle operation - valves with 1/4 turn ceramic internal upper parts 1/2", clockwise and counter-clockwise closure
- Fluehs valving (made in Germany)
- Neoperl flexible hose technology
- metal shower hose 78 47/64"
- metal 1-spray hand shower 1.8 GPM with easy to clean silicon nozzles and backflow preventer

- **Recommended:**
649.40.160.000 | Assembly plate, complete

