

## BELLEDOR

631.60.432.xxx-AA

Wall volume control  $\frac{3}{4}$ " or wall diverter  $\frac{1}{2}$ ", assembly set only

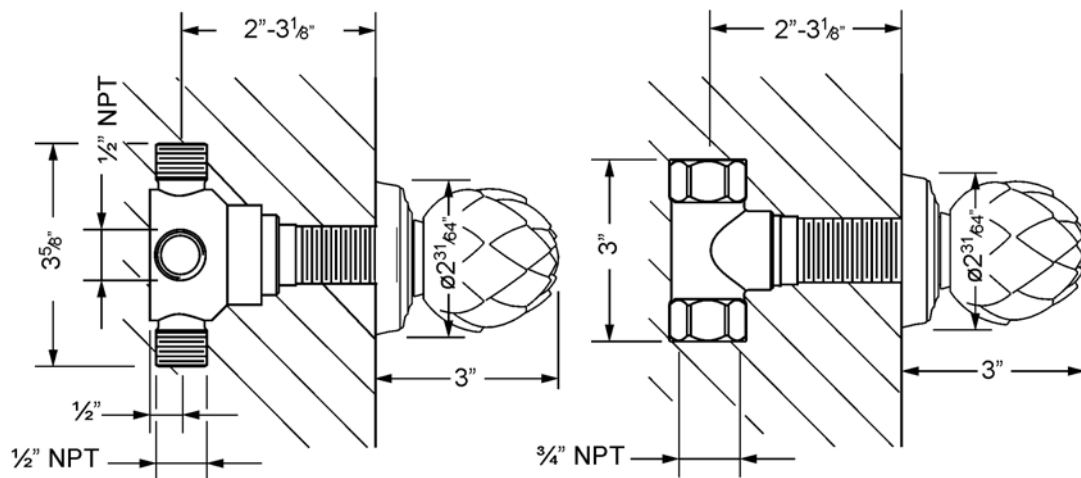


- design handle
- must order 649.20.410.000 rough to complete (Wall volume control  $\frac{3}{4}$ " )
- must order 649.40.620.000 rough to complete (Wall diverter  $\frac{1}{2}$ " )

- **Required:**

**649.20.410.000** | Concealed wall valve  $\frac{3}{4}$ ", rough only

**649.40.620.000** | 4-port, 3-way dedicated diverter rough only



with concealed wall valve 649.40.620.000

with concealed wall valve 649.20.410.000