

## CRONOS

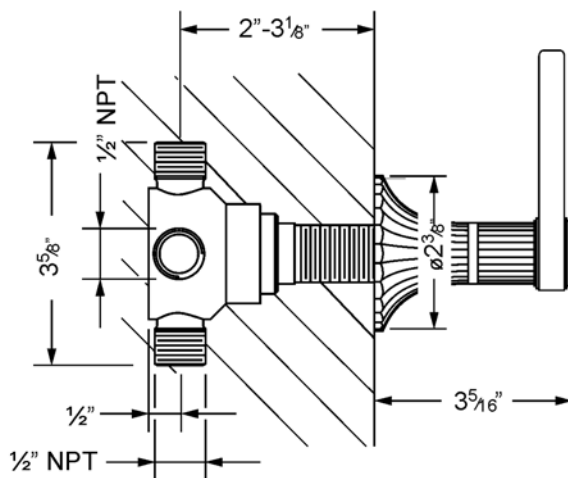
637.60.435.xxx

Wall volume control  $\frac{3}{4}$ " or wall diverter  $\frac{1}{2}$ ", assembly set only

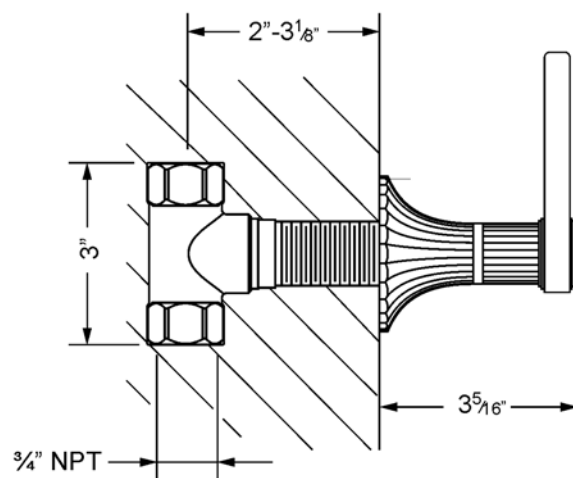


- with lever handle, escutcheon
- must order 649.20.410.000 rough to complete (Wall volume control  $\frac{3}{4}$ " )
- must order 649.40.620.000 rough to complete (Wall diverter  $\frac{1}{2}$ " )

- **Required:**  
**649.20.410.000** | Concealed wall valve  $\frac{3}{4}$ " , rough only  
**649.40.620.000** | 4-port,3-way dedicated diverter rough only



with concealed wall valve 649.40.620.000



with concealed wall valve 649.20.410.000