

## TURN

623.50.234.xxx

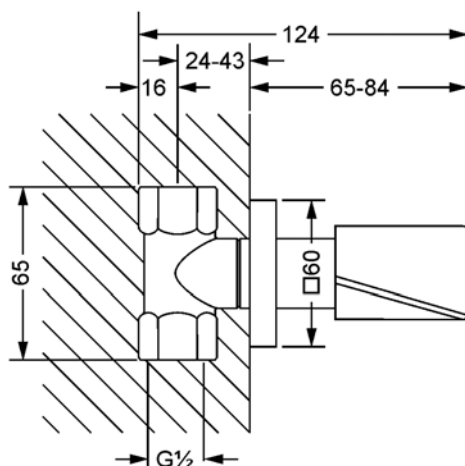
Concealed wall valve, assembly set



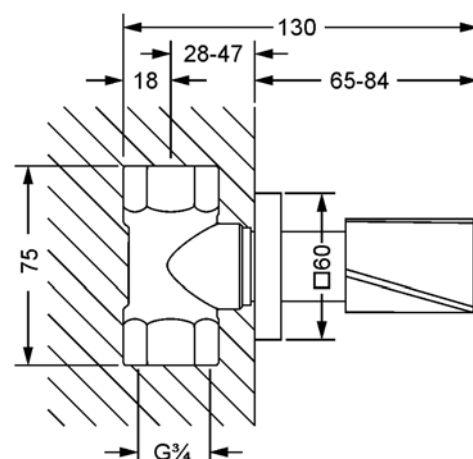
- socket with adjustable
- escutcheon
- flow rate for 1/2" 17 l/min at 3 bar
- flow rate for 3/4" 21 l/min at 3 bar

### Required:

- **649.20.350.000** | Concealed wall valve 1/2", body, clockwise closure
- **649.20.355.000** | Concealed wall valve 1/2", body, counter-clockwise closure
- **649.20.450.000** | Concealed wall valve 3/4", body, clockwise closure
- **649.20.455.000** | Concealed wall valve 3/4", body, counter-clockwise closure



mit Einbaukörper / with concealed body 1/2"



mit Einbaukörper / with concealed body 3/4"