

CHARLESTON SQUARE

634.20.360.xxx

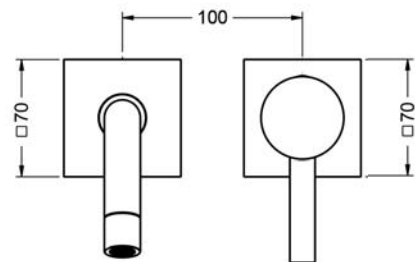
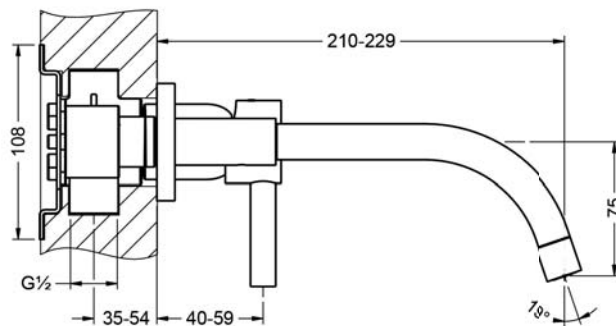
Single lever wall washbasin mixer, assembly set 1/2"



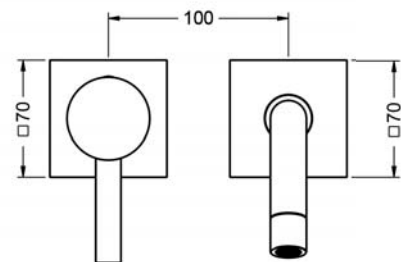
- wall mounting
- projection 210 - 229 mm
- wall spout
- aerator M18 x 1
- cartridge with ceramic discs 1/2"
- escutcheon

Required:

- **649.20.362.000** | Single lever wall washbasin mixer 1/2", concealed body, control lever on the right
- **649.20.364.000** | Single lever wall washbasin mixer 1/2", concealed body, control lever on the left



mit Einbaukörper / with concealed body 649.20.362.000



mit Einbaukörper / with concealed body 649.20.364.000