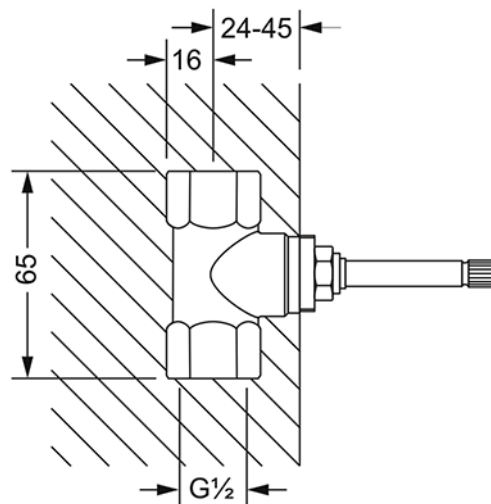


649.20.355.xxx  
Concealed wall valve 1/2", body

---

- counter-clockwise closure
- ceramic discs
- flow rate 17 l/min at 3 bar



Einbaukörper 1/2"