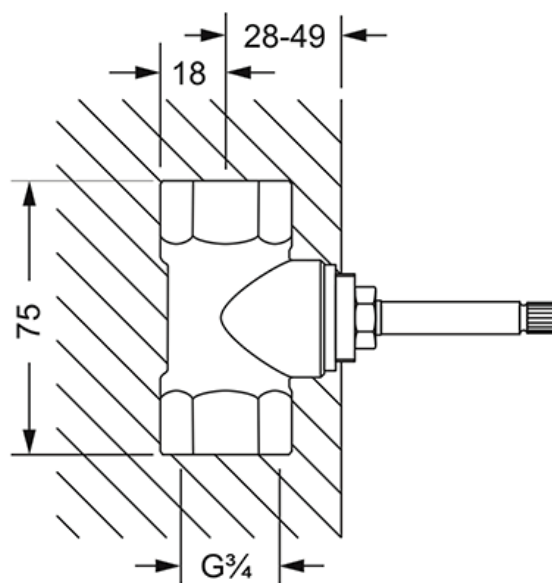


649.20.451.000
Concealed wall valve $\frac{3}{4}$ ", body

- clockwise closure
- ceramic discs $\frac{3}{4}$ "
- flow rate 21 l/min at 3 bar



Einbaukörper $\frac{3}{4}$ "